

## KISSLING TOGGLE SWITCH HOUSING

### Quality Safety Switch Housing

The KISSLING toggle switches from TE Connectivity's product family have been developed under strict guidelines to meet recognised international standards. They are designed to be used as outdoor application on vehicles and machineries by using a sealed housing.

A multiplicity of options may be selected including: switching configuration, termination type, load carrying capabilities and locking combinations

Customers are invited to contact the service team to determine the sealed housing and switching configuration required for their specific application needs. Toggle switches selected from series 07, 08 and 09 toggle switches can be integrated with bayonet connector interface in accordance with DIN 72585 / ISO 15170-1 or flying cable.

### Features

- Sealing technology meets IP67
- 2- and 3-position switch actions
- Variety of available switching patterns
- Locking options for individual needs

### Applications

- Commercial vehicles
- Military ground equipment and vehicles
- Construction vehicles
- Medical equipment
- Aviation ground support equipment
- Plant and industrial engineering

# KISSLING TOGGLE SWITCH HOUSING

Series 07

## Specification

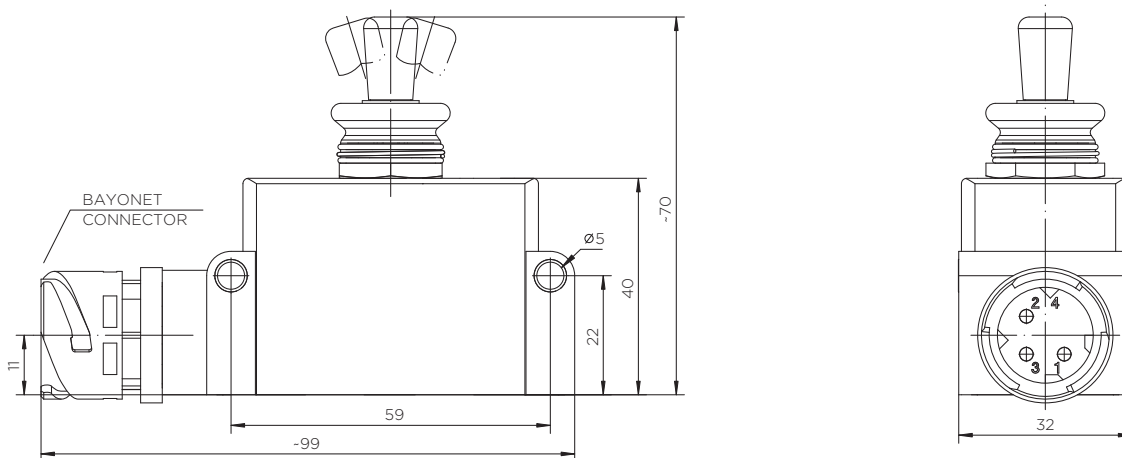
### Technical Data

Housing Material	Thermoplast GF
Protection	IEC 60529 / IP67
Connection	Connector iaw DIN 72585 / ISO 15170-1
Current carrying parts	CuZn-alloy
Contact material	Silver-alloy or plated gold contacts
Temperature range	-35°C to +60°C
Storage temperature range	-35°C to +80°C
Electrical life (nominal load)	100.000 cycles
Nominal voltage / Continuous current	12VDC, 10A ohmic load 28VDC, 10A ohmic load 28VDC, 10A L/R = 5ms inductive load 115VAC, 10A inductive load
Min. switching capacity	12VDC. 20mA

## Technical drawings

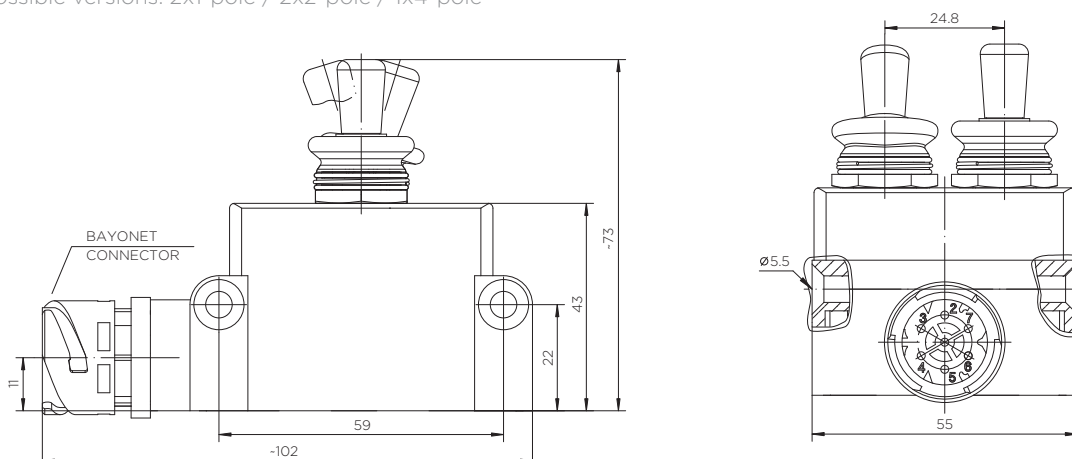
### Single pole housing

Possible versions: 1x1-pole / 1x2-pole



### Two pole housing

Possible versions: 2x1-pole / 2x2-pole / 1x4-pole

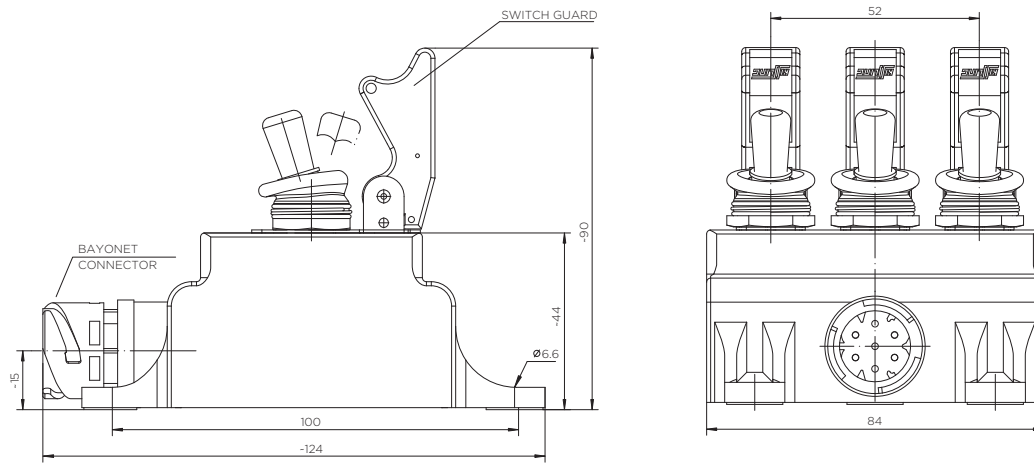


# KISSLING TOGGLE SWITCH HOUSING

## Series 07

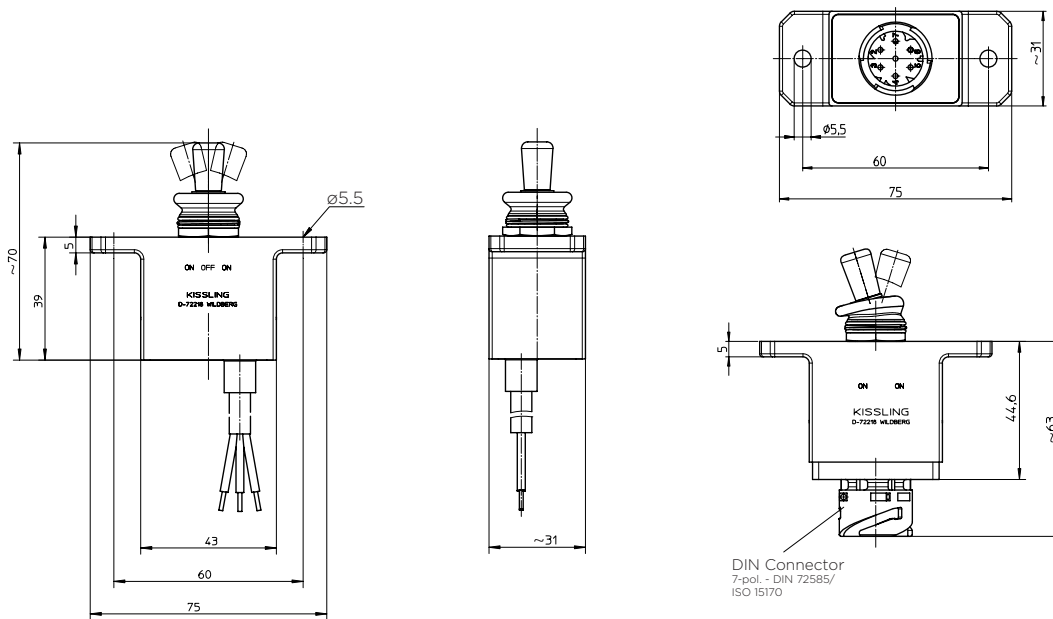
### Three pole housing

Possible versions: 3x1-pole / 1x4-pole / 2x1-pole + signal light or receptacle / optional configuration possible



### Small housing

Possible versions: 1x1-pole / 1x2-pole / optional with LED-function display at 1x1-pole



## te.com

TE Connectivity, TE, TE connectivity (logo) and KISSLING (word) are trademarks owned or licensed by the TE Connectivity family of companies. All other logos, products and/or company names referred to herein might be trademarks of their respective owners.

The information given herein, including drawings, illustrations and schematics which are intended for illustration purposes only, is believed to be reliable. However, TE Connectivity makes no warranties as to its accuracy or completeness and disclaims any liability in connection with its use. TE Connectivity's obligations shall only be as set forth in TE Connectivity's Standard Terms and Conditions of Sale for this product and in no case will TE Connectivity be liable for any incidental, indirect or consequential damages arising out of the sale, resale, use or misuse of the product. Users of TE Connectivity products should make their own evaluation to determine the suitability of each such product for the specific application.