



KISSLING MICRO SWITCH

Series MDH

Quality Switch

Our KISSLING micro switches have been specifically designed for mission critical applications with extended environmental requirements.

These high quality MDH micro switches are precise and display both reliable and consistent switching behavior under the harshest conditions and over product lifespans of 10 million cycles. The switch has a load switching range from 0.1A up to 6A (AC). The housings are made of thermoplastic and are sealed up to IP40 depending on the configuration.

This series offers high switching security, since in operation the moving contact is activated in a cross traverse with respect to the fixed contact. This movement provides automatic self cleaning of the main contact surface and inhibits welding or sticking. These switches are intended to be used in extreme environmental conditions.

Features

- 1-pole switches available
- Nominal load up to 6A at 250VAC
- Min. switching current 10mA at 12VDC
- Switching frequency up to 200 cycles/min.
- Variety of available actuator geometries and sizes
- High quality silver alloy or gold plated contacts

Applications

- Automotive equipment
- General mechanical engineering
- Appliance and industrial engineering
- Medical equipment
- Commercial vehicles
- Pressure switch

KISSLING MICRO SWITCH

Series MDH

Specification

Technical Data

Housing Material	Thermoplast GF
Interior protection	IP40 IEC 60529

Mechanical Data

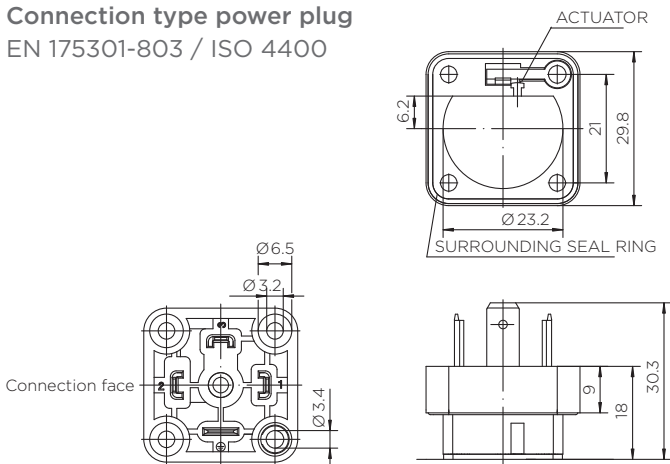
Pre-travel	0.4mm - 1.2mm
Overtravel	> 0.5mm
Movement differential	0.01mm - 0.3mm
Operating force	1N - 6N
Release force	> 0.5N
Current carrying parts	Cu-alloy
Contact material	Silver alloy or gold plated contacts
Frequency	max. 200/min
Temperature range	-10°C to +85°C

Electrical data

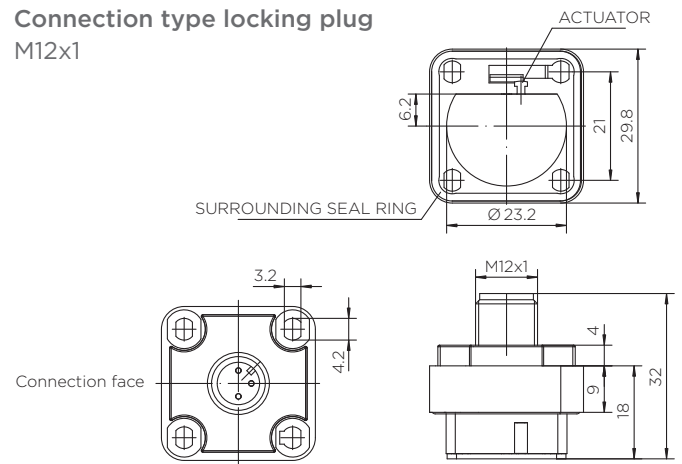
Nominal voltage	250VAC, 24VDC
Continuous current	6A
Min. switching capacity	24VDC, 20mA

Technical drawings

Connection type power plug
EN 175301-803 / ISO 4400

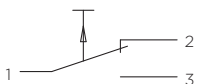


Connection type locking plug
M12x1



Switching Function

Change-over



KISSLING MICRO SWITCH

Series MDH

Ordering Key

Order number	Connection types		Life cycle		Socket mounting	
	Power plug	Locking plug	> 2Mio.	> 20Mio.	slotted holes Ø 3.2 (M3)	slotted holes 3.2.x 4.2
MDH1 011 221	x		x			x
MDH1 021 221	x		x		x	
MDH1 061 221	x			x	x	
MDH1 071 221		x	x			x

te.com

TE Connectivity, TE, TE connectivity (logo) and KISSLING (word) are trademarks owned or licensed by the TE Connectivity family of companies. All other logos, products and/or company names referred to herein might be trademarks of their respective owners.

The information given herein, including drawings, illustrations and schematics which are intended for illustration purposes only, is believed to be reliable. However, TE Connectivity makes no warranties as to its accuracy or completeness and disclaims any liability in connection with its use. TE Connectivity's obligations shall only be as set forth in TE Connectivity's Standard Terms and Conditions of Sale for this product and in no case will TE Connectivity be liable for any incidental, indirect or consequential damages arising out of the sale, resale, use or misuse of the product. Users of TE Connectivity products should make their own evaluation to determine the suitability of each such product for the specific application.

© 2020 TE Connectivity | All Rights Reserved.

K1166736 | Version 08/2020